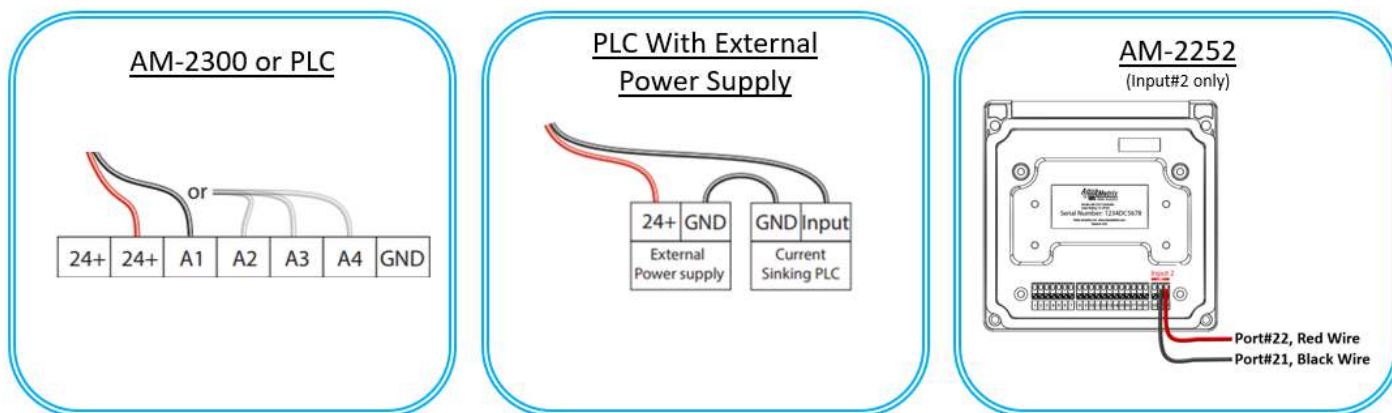




N104-69 AM-ES-TX Wiring Diagram

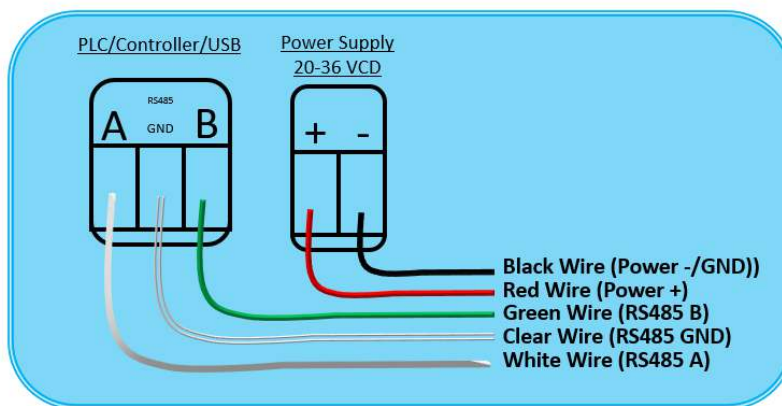
The AM-ES-TX consists of an ES1 sensor and an ES-BT. The ES-BT is the blind transmitter box portion of the ES-TX. These two will have matching start ends of the serial number and these pairs should be maintained, as they are calibrated together. The output for this sensor can either be 4-20mA Analog or Digital over RS485 (Cli commands only, Modbus pending). These connections are outlined in sections 1 and 2 respectively. Connections of the output wiring and ES1 sensor wiring to the ES-BT are noted in section 3.

1. Analog (4-20mA) Connections:



Note: the 4-20mA mapping is defaulted to 0-400mS/cm. For custom ranges, use the Digital communication protocol or contact the Water Analytics Team.

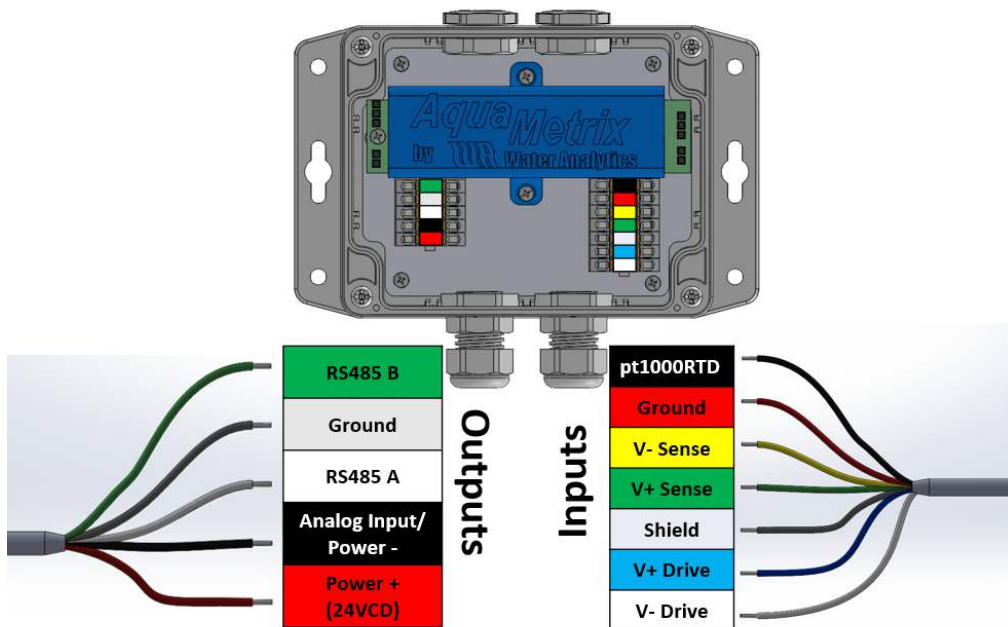
2. Digital (RS485) Connections:



Note: Digital communication is currently available over RS485 and via CLI commands. The Modbus RTU protocol will be available in future releases.

3. ES-BT Connections:

The ES-BT comes pre-wired with the PCB board wired to the jumper connections. To simplify the wiring process when connecting the ES1 sensor and the output cable (Analog and Digital) all one must simply do is match the wire colors. As a reference here is the wiring for the ES-BT:



NOTES:

- The AS-TX can work with the new AM-2252 controller or AM-2300 controller, as well as most third-party PLC controllers. Contact AquaMetrix to confirm compatibility.
- The length of cable from the ES1 sensor to the ES-BT should not be altered, as this may cause a change in performance.
- If the PCB wires become disconnected, please consult with the manufacturer.


 100 School Street
 Andover, MA 01810
 978-749-9949
 Toll free 855-pH Probe
 (855-747-7623)
www.WaterAnalytics.net