



## Description

The new and improved one-inch PTX sensor is the latest addition to the legendary AquaMetrix differential sensor family. Our smart sensors maintain their robust design, but leverage the analytical power of our controllers, fully integrated. The 1.5" TX version also comes in a sleek Black PPS (Ryton®) for superior resistance to chemical and mechanical weathering.

The advantages of digital output sensors are compelling. They include reduced noise, higher immunity from stray voltages, calibration stored in the sensor, and the elimination of intermediary transmitters.

The new TX-series incorporates all the benefits of differential measurement found in other models of the 60 and 65 series, field-proven in thousands of installations.

The replaceable salt bridge has been completely redesigned for this series - no special tools are required! Simply grab a #3 Philips screwdriver or 1/2" wrench and rejuvenate your sensor in seconds.

The improved, universal flat-faced glass process electrode is specially designed for tough applications. A larger surface area guarantees quick readings and outstanding performance, and a self-cleaning flush fit when installed inline ensures upkeep will be minimal. The process electrode is encased in a protective layer of PPS offering

increased resistance to physical damage.

Aquametrix pH sensors are designed to simply and reliably ensure water quality compliance. Aquametrix pH sensors provide accurate measurements under conditions that often render conventional pH sensors inoperable.

Differential measurement technology uses two glass electrodes to make the measurement differentially with respect to a third metal electrode. The resulting true differential measurement has several advantages over conventional sensors: ground loop problems are virtually eliminated and the sensor can be restored to factory condition at modest cost by replacing the salt bridge and reference solution.

The Automatic temperature compensation is improved through the use of a thermistor at the tip of the probe, providing rapid response for process temperature variations.

The sensor is compatible with any off-the-shelf 1.5" NPT fittings and serves as a drop-in replacement in fittings designed for the previous iteration. You no longer need to sacrifice precision for longevity with Aquametrix TX Sensors

## Features

- Low cost of ownership
- Stable and Repeatable performance
- Flat face electrode is standard
- Industrial Grade Quality
- Chemically resistant PPS body
- Universal style: flow-through and submersion
- Analog (4-20 mA) or Digital (RS485) Output
- Automatic Temperature Compensation
- Replaceable Salt Bridge
- Quick Ship Available

## Applications

- Process Control
- Industrial and Municipal Water Treatment and Neutralization
- Fume Scrubbers
- Mining
- Power Generation
- Food and Beverage
- Pharmaceutical Industry
- Pulp and Paper

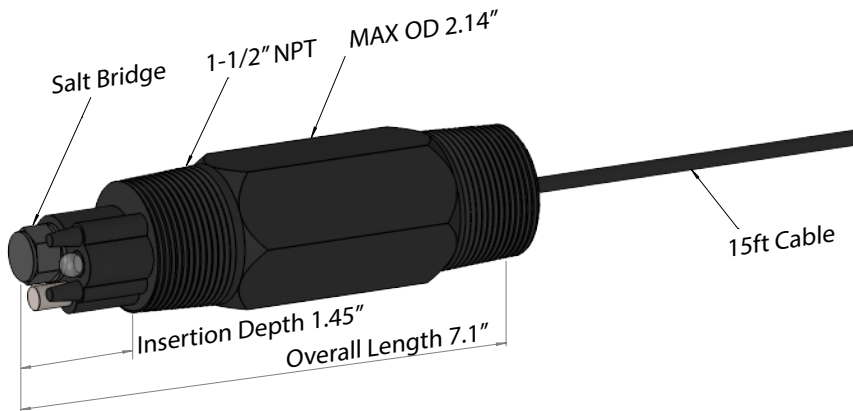
**Smart Inside.  
Tough Outside.**

# AquaMetrix PTXR8 Differential Smart Sensor

## Technical Data

Measuring Range	0 to 12 pH	Stability	0.03 pH per day, non-cumulative
Wetted Materials	Ryton, CPVC, Kynar, glass, titanium palladium alloy, Viton, *PVC (cable jacket), *Dynaflex (cable strain relief). * when fully submerged	Sensitivity	0.01 pH
Temperature Limits	-5 to 75°C (23 to 167°F)	Accuracy	± 0.03 pH
Maximum Pressure	100 psig at 65°C maximum	Sensor Cable	Default length 15ft. (4.6m) 2-wire Analog 2-wire RS485 1-wire Ground
Maximum Flow Rate	10 ft./sec maximum (3 metres/sec)		
Temperature Compensation	Automatic		

## Dimensions



## Related Products

### ANALYZERS

AM-2300 Multi-Input Controller

### ACCESSORIES

- AM-JB2 NEMA 4X junction box
- AM-TEE-8 2" Union Tee with adaptor for -8 series
- AM-SFL-8 2" Sanitary Flange for -8 series
- AM-ARM-8 Submersion hardware for tank mounting
- AM-JET-8 Jet cleaner for -8
- AM-PTR-8 Electrode protector for -8
- AM-SBK3-R8 Salt Bridge Kit, package of 3
- AM-SBK10-R8 Salt Bridge Kit, package of 10
- AM-CBL Extension cable

### CALIBRATION SOLUTIONS

- AM-PH4-1P pH 4 Buffer, 1 pint (500 mL)
- AM-PH7-1P pH 7 Buffer, 1 pint (500 mL)
- AM-PH10-1P pH 10 Buffer, 1 pint (500 mL)

## Ordering Information

PTXR8-015

Smart Analog output (4-20mA) or Digital (RS485) industrial differential pH sensor for flow-through or submersion application. Compatible with AM-2300 and any PLC with 4-20mA input. Standard 15 ft cable. Body threaded 1-1/2" both ends